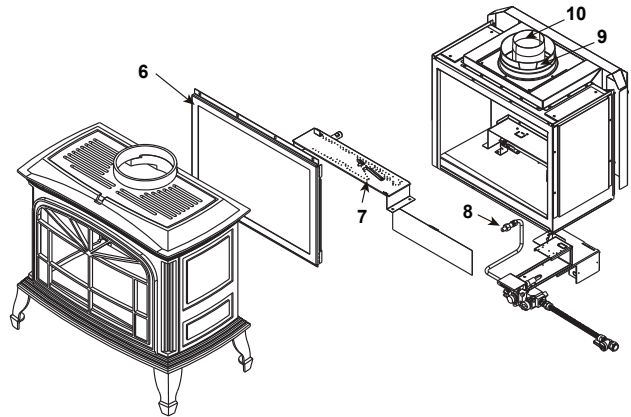


Log Set Assembly



IMPORTANT: THIS IS DATED INFORMATION. Parts must be ordered from a dealer or distributor. **Hearth and Home Technologies does not sell directly to consumers.** Provide model number and serial number when requesting service parts from your dealer or distributor.



Stocked at Depot

ITEM	DESCRIPTION	COMMENTS	PART NUMBER	
	Log Set Assembly	No longer Available	LOGS-TOWN2	
1	Log 1		SRV530-711	
2	Log 2		SRV446-704	
3	Log 3		SRV446-702	
4	Log 4	No longer Available	SRV446-714	
5	Log 5		SRV402-701	
6	Glass Door Assembly	No longer Available	GLA-TOWN2	
7	Burner NG		402-181A	Y
	Burner LP	No longer Available	402-175A	
8	Burner Orifice NG (#36A)	No longer Available	079-831	
	Burner Orifice LP (#52A)	No longer Available	057-801	
9	Starting Collar - Outer	No longer Available	656-126	
10	Starting Collar - Inner	No longer Available	419-220	
	Junction Box	No longer Available	040-250A	
	Switch, On/Off		060-521A	Y
	Piezo Ignitor		291-513	Y
	Pilot Assembly NG	Robert Shaw	446-510A	Y
		S.I.T	2103-010	Y
	Pilot Assembly LP	Robert Shaw	446-511A	Y
		S.I.T	2103-011	Y
	Thermopile		2103-512	Y
	Thermocouple	Robert Shaw	446-511	Y
			S.I.T for NG 2103-511 / for LP 571-511	Y
	Pilot Tube		SRV446-301	Y
	Service Bolt Kit	No longer Available	SRV419-800	
	Valve NG	Robert Shaw	060-522	Y
		S.I.T	SRV230-0710	Y
	Valve LP	Robert Shaw	060-523	Y
		S.I.T	SRV230-0720	



No one builds a better fire

Beginning Manufacturing Date: March 1996

Ending Manufacturing Date: April 2001

IMPORTANT: THIS IS DATED INFORMATION. Parts must be ordered from a dealer or distributor. **Hearth and Home Technologies does not sell directly to consumers.** Provide model number and serial number when requesting service parts from your dealer or distributor.



Stocked at Depot

ITEM	DESCRIPTION	COMMENTS	PART NUMBER	
Conversion Kit (Robert Shaw)				
	Conversion Kit NG, (Robert Shaw)		No longer Available	
	Conversion Kit LP, (Robert Shaw)		No longer Available	
	Pilot Orifice NG, (Robert Shaw)		SRV446-505	Y
	Pilot Orifice LP, (Robert Shaw)		SRV446-517	Y
	Regulator NG, (Robert Shaw)		SRV060-518	Y
	Regulator LP, (Robert Shaw)		060-519	Y
Conversion Kit (SIT)				
	Conversion Kit NG (SIT)	No longer Available	NGK-TOWNII-CDN	
	Conversion Kit Lp (SIT)	No longer Available	LPK-TOWNII-CDN	
	Pilot Orifice NG (SIT)	No longer Available	571-516	
	Pilot Orifice LP (SIT)	No longer Available	571-517	
	Regulator NG (SIT)		SRV230-1570	Y
	Regulator LP (SIT)		SRV230-1520	Y
	Top grill plate-Black	No longer Available	SRV402-160	
TOWNII-AL, TOWNII-ALLP		ALMOND		
	Bottom Casting	No longer Available	SRV402-190	
	Front Casting	No longer Available	SRV402-163	
	Left Side Casting	No longer Available	SRV402-168	
	Leg	No longer Available	SRV402-178	
	Right Side Casting	No longer Available	SRV402-173	
	Top Casting	No longer Available	SRV402-185	
TOWNII-EBK, TOWNII-EBKLP		BLACK-ENAMEL		
	Bottom Casting	No longer Available	SRV402-191	
	Front Casting	No longer Available	SRV402-165	
	Left Side Casting	No longer Available	SRV402-170	
	Leg	No longer Available	SRV402-180	
	Right Side Casting	No longer Available	SRV402-182	
	Top Casting	No longer Available	SRV402-186	
TOWNII-BK, TOWNII-BKLP		BLACK-MATTE		
	Bottom Casting	No longer Available	SRV402-192	
	Front Casting	No longer Available	SRV402-164	
	Left Side Casting	No longer Available	SRV402-169	
	Leg	No longer Available	SRV402-179	
	Right Side Casting	No longer Available	SRV402-174	
	Top Casting	No longer Available	SRV402-187	

